

DHCOM AM35xx

Pluggable, compatible SOM



Cortex
Intelligent Processors by ARM

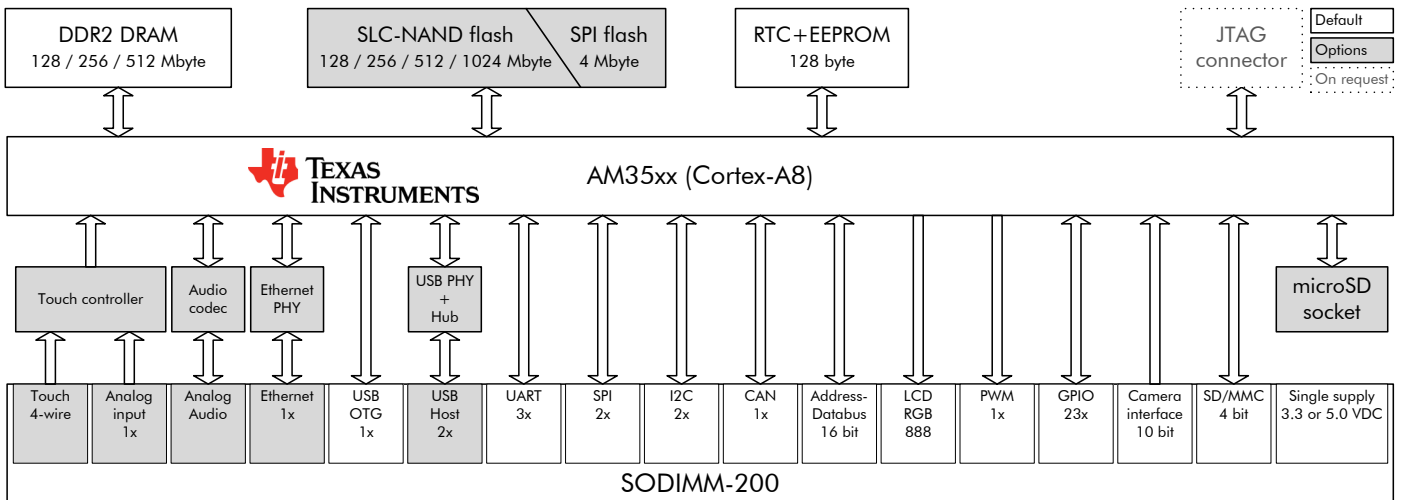
TECHNICAL DETAILS

Processor	ARM Cortex-A8 with 600 MHz
CPU features	3D graphics accelerator
DDR2 DRAM	128 / 256 / 512 Mbyte
SLC-NAND flash	0 / 128 / 256 (max 1024) Mbyte
E ² Prom	128 byte
microSD socket	Available on module
Real-time clock RTC	Available on module
Supply	3.3 or 5.0 VDC, typ. 1.4 W
Temperature range	Operating: -40 to +85 °C
Dimensions	67.6 x 36.7 x 8.1 mm
Debug interface	JTAG interface on module
BSPs	Linux, Windows CE

SODIMM-200 SOCKET

Bus interface	16 bit address/data, 5 CS
Ethernet 1	10 / 100 Mbit
Ethernet 2	-
MMC/SD interface	4 bit mode
CAN	V2.0B / 1Mbit/s
UART 1	Full Function, up to 3.6 Mbit/s
UART 2	Rx / Tx / Rts / Cts, up to 3.6 Mbit/s
UART 3	Rx / Tx, up to 3.6 Mbit/s
SPI 1	max. 48 MHz
SPI 2	max. 48 MHz
I2C 1	max. 3.4 Mbit
I2C 2	max. 3.4 Mbit
USB host 1	High-Speed
USB host 2	High-Speed
USB OTG	High-Speed
Camera	CCIR-656 interface, 10 bit
Display RGB	Max. 1400 x 1050 pixels, 24 bit
Display LVDS	-
Touch	4-wire
Audio	Microphone, line-in, headphones
GPIOs	23 IOs
PWM	1, 16 bit
Analog inputs	1, 10 bit SAR converter

BLOCK DIAGRAM



ORDERING INFORMATION

Ordering Configurations: DHCM-CPU-Rxxx[-Fxxxx][-E][-USB][-SD][-T][-A]-X-01D2

CPU	AM3517 (with 3D graphics accelerator), AM3505
Rxxx	128MByte: R012, 256MByte: R025, 512MByte: R051
X	Commercial temperature range (0°C - 70°C): C, Industrial temperature range (-40°C - 85°C): I
01D2	DHCOM Revision, SODIMM200 socket

Options

[-Fxxxx]	128MByte NAND: F0012, 256MByte NAND: F0025, 512MByte NAND: F0051, 1024MByte NAND: F0102
[-E]	Ethernet
[-USB]	USB host ports
[-SD]	microSD socket
[-T]	Resistive touch controller
[-A]	Audio codec

Item number

HA00012

Model (other configurations on request)

DHCM-AM3517-R025-F0025-E-USB-SD-T-A-I-01D2

Product description

DHCOM AM3517 with 3D graphics accelerator, 256MB DRAM, 256MB flash, ethernet, USB host, microSD socket, res. touch, audio