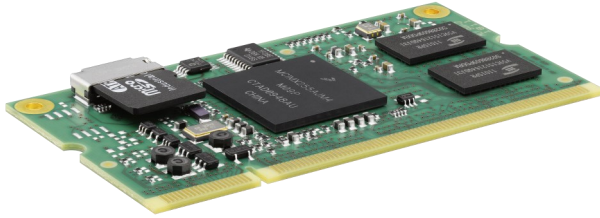


DHCOM i.MX25x

Pluggable, compatible SOM



Cortex
Intelligent Processors by ARM

TECHNICAL DETAILS

Processor	ARM926EJ-S with 400 MHz
Features	-
DDR2 DRAM	64 / 128 Mbyte
SLC-NAND flash	0 / 128 / 256 (max. 1024) Mbyte
E ² Prom	128 byte
microSD socket	Available on module
Real-time clock RTC	Available on module
Supply	3.3 or 5.0 VDC, typ. 0.75 W
Temperature range	Operating: -40 to +85 °C
Dimensions	67.6 x 36.7 x 8.1 mm
Debug interface	JTAG interface on module
BSPs	Linux, Windows CE

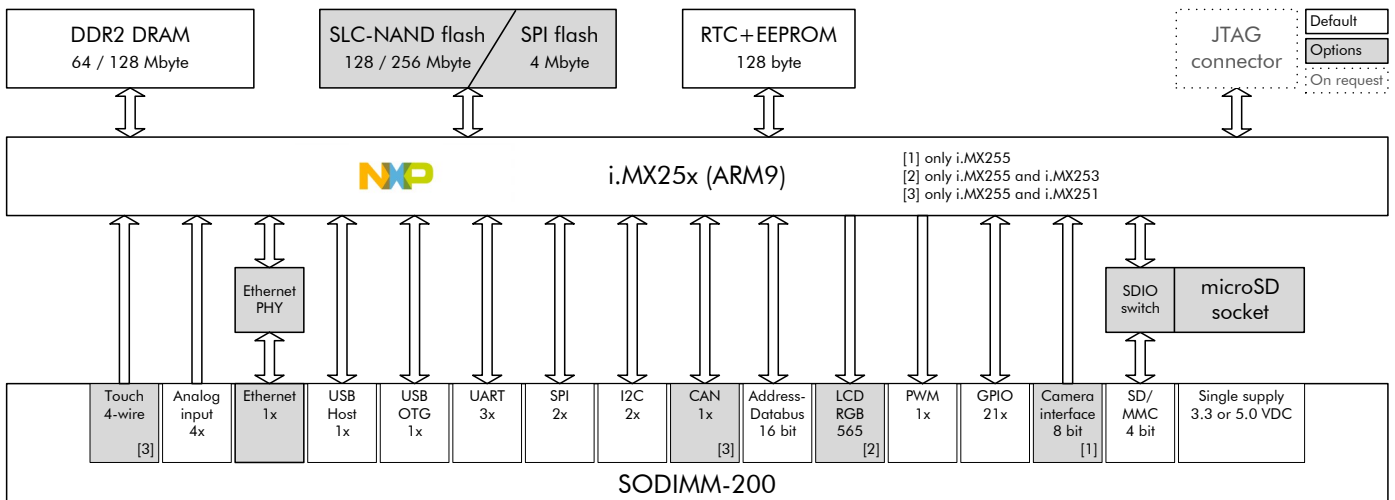
SODIMM-200 SOCKET

Bus interface	16 bit address/data, 3 CS
Ethernet 1	10 / 100 Mbit
Ethernet 2	-
MMC/SD interface	4-bit mode
CAN	V2.0B, 1 Mbit/s
UART 1	Full Function, up to 4 Mbit/s
UART 2	RX / TX / RTS / CTS, up to 4 Mbit/s
UART 3	RX / TX, up to 4 Mbit/s
SPI 1	Max. 16 MHz
SPI 2	Max. 16 MHz
I2C 1	Max. 400 Kbit/s
I2C 2	Max. 400 Kbit/s
USB Host 1	Full-Speed
USB Host 2	-
USB OTG	High-Speed
Camera	CCIR-656 interface, 8 bit
Display RGB	Max. 800 x 600 pixels, 16 bit
Display LVDS	-
Touch	4-wire
Audio	-
GPIO	21 IOs
PWM output	1 PWM out, 16 bit
Analog inputs	4 analog in, 12 bit SAR
Supply	3.3 or 5.0 VDC, typ. 0.75 W
Temperature range	Operating: -40 to +85 °C
Dimensions	67.6 x 36.7 x 8.1 mm
Socket	SODIMM-200
Debug interface	JTAG interface on module
BSPs	Linux, Windows CE

DHCOM i.MX25x

Pluggable, compatible SOM

BLOCK DIAGRAM



ORDERING INFORMATION

Ordering Configurations: DHCM-CPU-Rxxx[-Fxxxx][-E][-SD]-I-01D2

CPU	i.MX255, i.MX253 (without CAN, touch and camera), i.MX251 (without LCD and camera)
Rxxx	64 Mbyte: R006, 128 Mbyte: R012
I	Industrial temperature range (-40 °C-85 °C)
01D2	DHCOM Revision, SODIMM200 socket

Options

[-Fxxxx]	128 Mbyte NAND: F0012, 256 Mbyte NAND: F0025
[-E]	Ethernet
[-SD]	microSD socket

Item number

HI00008

Model [other configurations on request]

DHCM-i.MX255-R006-F0012-E-SD-I-01D2

Product description

DHCOM i.MX255 with 400 MHz, 64 Mbyte DRAM, 128 Mbyte flash, ethernet, microSD socket

HI00032

DHCM-i.MX255-R012-F0025-E-SD-I-01D2

DHCOM i.MX255 with 400 MHz, 128 Mbyte DRAM, 256 Mbyte flash, ethernet, microSD socket